

# Original operating instructions

TOX® UDI Panel





## Table of contents

<b>1</b>	<b>Important information</b>	
1.1	Legal note .....	7
1.2	Exclusion of liability.....	7
1.3	Conformity .....	7
1.4	Validity of the document .....	8
1.4.1	Content and target group.....	8
1.4.2	Other applicable documents .....	8
1.5	Gender note.....	8
1.6	Displays in the document.....	9
1.6.1	Display of warnings.....	9
1.6.2	Display of general notes .....	10
1.6.3	Highlighting of texts and images.....	10
1.7	Contact and source of supply .....	11
<b>2</b>	<b>Safety</b>	
2.1	Basic safety requirements .....	13
2.2	Organizational measures.....	13
2.2.1	Safety requirements for the operating company.....	13
2.2.2	Selection and qualifications of personnel .....	14
2.3	Fundamental hazard potential .....	15
2.3.1	Electrical hazards .....	15
2.3.2	Thermal hazards.....	15
2.4	Special types of risks .....	16
2.4.1	Electrical energy .....	16
2.4.2	Tripping points .....	16
2.4.3	Damage of the connecting line .....	16
2.4.4	Mechanical damage.....	17
<b>3</b>	<b>About this product</b>	
3.1	Intended use .....	19
3.1.1	Safe and correct operation .....	19
3.1.2	Foreseeable misuse .....	19

3.1.3	Substances harmful to the wetting properties of lacquers (LABS) .....	20
3.2	Product overview and function description .....	20
3.2.1	Product overview 10.1 inch.....	20
3.2.2	Product overview 13.3 / 21.5 inch.....	21
3.3	Touch screen .....	22
<b>4</b>	<b>Technical data</b>	
4.1	Type sheet and data sheet .....	23
4.2	Connections 10.1 inch TOX® UDI Panel .....	23
4.2.1	Supply voltage 10.1 inch TOX® UDI Panel.....	23
4.2.2	Data interface 10.1 inch TOX® UDI Panel .....	24
4.3	Connecting line .....	24
<b>5</b>	<b>Transport and storage</b>	
5.1	Temporary storages.....	25
5.2	Dispatch for repair .....	25
<b>6</b>	<b>Installation</b>	
6.1	Safety during installation.....	27
6.2	Requirements for installation .....	28
6.2.1	Set-up location.....	28
6.3	Installation 13.2 inch / 21.5 inch TOX® UDI Panel.....	29
6.3.1	Preparation of the installation cutout .....	29
6.3.2	Dismantling / installing housing cover.....	29
6.3.3	Installing connections .....	31
6.3.4	Grounding connection / potential equalization .....	35
6.3.5	Holder installation VESA.....	36
<b>7</b>	<b>Software</b>	
7.1	Parameterizing, Visualizing, Operating.....	37
7.2	Settings.....	37
7.2.1	Basic settings screen.....	37
7.2.2	Operating system settings .....	38

7.3 Establishing VNC connection ..... 44

**8 Maintenance**

8.1 Requirements for maintenance and cleaning ..... 45

8.2 Cleaning the touch screen ..... 45

8.3 Update TOX® Software..... 46

**9 Disassembly and Disposal**

9.1 Disposal ..... 47

**10 Appendices**

10.1 Declaration of conformity ..... 49

**Index**



# 1 Important information

## 1.1 Legal note

All rights reserved.

Operating instructions, manuals, technical descriptions and software published by TOX® PRESSOTECHNIK GmbH & Co. KG ("TOX® PRESSOTECHNIK") are copyright and must not be reproduced, distributed and/or otherwise processed or edited (e.g. by copying, microfilming, translation, transmission in any electronic medium or machine-readable form). Any use - including of extracts - contrary to this condition is prohibited without approval in writing by TOX® PRESSOTECHNIK and may be subject to criminal and civil legal sanctions.

If this manual refers to goods and/or services of third parties, this is for example only or is a recommendation by TOX® PRESSOTECHNIK.

TOX® PRESSOTECHNIK does not accept any liability or warranty/guarantee with reference to the selection, specifications and/or usability of these goods and services. The use and/or representation of trademarked brands that do not belong to TOX® PRESSOTECHNIK are for information only; all rights remain the property of the owner of the trademarked brand.

Operating instructions, manuals, technical descriptions and software are originally compiled in German.

## 1.2 Exclusion of liability

TOX® PRESSOTECHNIK has checked the contents of this publication to ensure that it conforms to the technical properties and specifications of the products or plant and the description of the software. However, discrepancies may still be present, so we cannot guarantee complete accuracy. The supplier documentation included with the system documentation is an exception.

However, the information in this publication is checked regularly and any required corrections are included in subsequent editions. We are grateful for any corrections and suggestions for improvement. TOX® PRESSOTECHNIK reserves the right to revise the technical specifications of the products or plant and/or the software or documentation without prior notice.

## 1.3 Conformity

The product is compliant with EU guidelines.

See separate EU-declaration of conformity or installation declaration.

## 1.4 Validity of the document

### 1.4.1 Content and target group

This manual contains information and instructions for the safe operation and safe maintenance or servicing of the product.

- All information in this manual is up to date at the time of print. TOX® PRESSOTECHNIK reserves the right to make technical changes that improve the system or increase the standard of safety.
- The information is intended for the operating company as well as operating and service personnel.

### 1.4.2 Other applicable documents

In addition to the available manual, further documents can be supplied. These documents must also be complied with. Other applicable documents can be, for example:

- additional operating manuals (e.g. of components or of a whole system)
- Supplier documentation
- Instructions, such as software manual, etc.
- Technical data sheets
- Safety data sheets
- Data sheets
- Schematics

## 1.5 Gender note

In order to enhance readability, references to persons that also relate to all sexes are normally only stated in the usual form in German or in the corresponding translated language in this manual, thus e.g. "operator" (singular) for male or female, or "operators" (plural) for male or female". This should in no way convey any gender discrimination or any violation of the principle of equality, however.



## 1.6 Displays in the document

### 1.6.1 Display of warnings

Warning signs indicate potential dangers and describe protective measures. Warning signs precede the instructions for which they are applicable.

#### Warning signs concerning personal injuries

##### **DANGER**

##### **Identifies an immediate danger!**

Death or severe injuries will occur if appropriate safety measures are not taken.

→ Measures for remedial action and protection.

##### **WARNING**

##### **Identifies a potentially dangerous situation!**

Death or serious injury may occur if appropriate safety measures are not taken.

→ Measures for remedial action and protection.

##### **CAUTION**

##### **Identifies a potentially dangerous situation!**

Injury may occur if appropriate safety measures are not taken.

→ Measures for remedial action and protection.

#### Warning signs indicating potential damage

##### **NOTE**

##### **Identifies a potentially dangerous situation!**

Property damage may occur if appropriate safety measures are not taken.

→ Measures for remedial action and protection.

## 1.6.2 Display of general notes

General notes show information on the product or the described action steps.



Identifies important information and tips for users.

## 1.6.3 Highlighting of texts and images

The highlighting of texts facilitates orientation in the document.

✓ Identifies prerequisites that must be followed.

1. Action step 1

2. Action step 2: identifies an action step in an operating sequence that must be followed to ensure trouble-free operation.

▷ Identifies the result of an action.

▶ Identifies the result of a complete action.

➔ Identifies a single action step or several action steps that are not in an operating sequence.

The highlighting of operating elements and software objects in texts facilitates distinction and orientation.

- <In square brackets> identifies operating elements, such as buttons, levers and (valves) stopcocks.
- "with quotation marks" identifies software display panels, such as windows, messages, display panels and values.
- **In bold** identifies software buttons, such as buttons, sliders, check-boxes and menus.
- **In bold** identifies input fields for entering text and/or numerical values.

## 1.7 Contact and source of supply

Only use original spare parts or spare parts approved by TOX® PRESSOTECHNIK.

TOX® PRESSOTECHNIK GmbH & Co. KG

Riedstraße 4

88250 Weingarten / Germany

Tel. +49 (0) 751/5007-333

E-Mail: [info@tox-de.com](mailto:info@tox-de.com)

For additional information and forms see  
[www.tox-pressotechnik.com](http://www.tox-pressotechnik.com)



## 2 Safety

### 2.1 Basic safety requirements

The product is state of the art. However, operation of the product may involve danger to life and limb for the user or third parties or damage to the plant and other property.

For this reason the following basic safety requirements will apply:

- Read the operating manual and observe all safety requirements and warnings.
- Operate the product only as specified and only if it is in perfect technical condition.
- Remedy any faults in the product or the plant immediately.

### 2.2 Organizational measures

#### 2.2.1 Safety requirements for the operating company

The operating company is responsible for compliance with the following safety requirements:

- The operating manual must always be kept available at the operation site of the product. Ensure that the information is always complete and in legible form.
- In addition to the operating manual, the generally valid legal and other binding rules and regulations must be provided for the following content and all personnel must be trained accordingly:
  - Work safety
  - Accident prevention
  - Working with hazardous substances
  - First aid
  - Environmental protection
  - Traffic safety
  - Hygiene
- The requirements and contents of the operating manual must be supplemented by existing national regulations (e.g. for prevention of accidents and for environmental protection).
- Instructions for special operating features (e.g. work organization, work processes, appointed personnel) and supervisory and reporting obligations must be added to the operating manual.

- Take action to ensure safe operation and make sure that the product is maintained in a functional condition.
- Only allow authorized persons access to the product.
- Ensure that all personnel work with awareness of safety and potential dangers with reference to the information in the operating manual.
- Provide personal protective equipment.
- Maintain all safety and information on dangers regarding the product complete and in legible condition and replace as required.
- Do not make any changes, carry out attachments or conversions to the product without the written approval of TOX® PRESSOTECHNIK. Action contrary to the above will not be covered by the warranty or the operating approval.
- Make sure that the annual safety inspections are carried out and documented by an expert.

### 2.2.2 Selection and qualifications of personnel

The following safety requirements are applicable for the selection and qualifications of personnel:

- Only appoint persons to work on the plant who have read and understood the operating manual, and in particular, the safety instructions before starting work. This is particularly important for persons who only work on the plant occasionally, e.g. for maintenance work.
- Only allow persons appointed and authorized for this work access to the plant.
- Only appoint reliable and trained or instructed personnel.
- Only appoint persons to work in the danger zone of the plant who can perceive and understand visual and acoustic indications of danger (e.g. visual and acoustic signals).
- Ensure that assembly and installation work and the initial commissioning are performed exclusively by qualified personnel who have been trained and authorized by TOX® PRESSOTECHNIK.
- Maintenance and repairs must be performed by qualified and trained personnel only.
- Ensure that personnel who are being trained, instructed or are in an apprenticeship can only work on the plant under the supervision of an experienced person.
- Have work on electrical equipment performed only by electricians or trained persons under the direction and supervision of an electrician in accordance with the electrotechnical regulations.

## 2.3 Fundamental hazard potential

Fundamental hazard potentials exist. The specified examples draw attention to known hazardous situations, but are not complete and do not in any way provide safety and risk awareness action in all situations.

### 2.3.1 Electrical hazards

Attention should be paid to electrical hazards particularly inside the components in the area of all assemblies of the control system and motors of the installation.

The following basically applies:

- Have work on electrical equipment performed only by electricians or trained persons under the direction and supervision of an electrician in accordance with the electrotechnical regulations.
- Always keep the control box and/or terminal box closed.
- Before commencing work on electrical equipment, switch off the main switch of the system and secure it against being switched back on inadvertently.
- Pay attention to the dissipation of residual energy from the control system of the servomotors.
- Make sure that the components are disconnected from the power supply when carrying out the work.

### 2.3.2 Thermal hazards

The drive works in continuous operation and can become hot and cause burns when touched.

- Wear individual protective equipment.
- Before starting work, make sure that surfaces have cooled down sufficiently.

## 2.4 Special types of risks

### 2.4.1 Electrical energy

The following safety requirements must be observed for all work on electrical equipment:

- Have work on electrical equipment performed only by electricians or trained persons under the direction and supervision of an electrician in accordance with the electrotechnical regulations.
- Inspect electrical equipment regularly and repair any defects (e.g. loose connections, damaged cables etc.) immediately.
- Only authorized personnel are allowed access to the control box and/or terminal box as well as to all electrical supply units. Always keep the control box and/or terminal box closed.
- Before commencing work on electrical equipment, switch off the main switch of the system and secure it against being switched back on inadvertently. Make sure that the components are disconnected from the power supply when carrying out the work.

### 2.4.2 Tripping points

 **CAUTION**

**Tripping points from laid supply lines!**

Injuries from tripping and falling!

- Avoid tripping points when setting up.
- Mark unavoidable tripping points with warning sign.

### 2.4.3 Damage of the connecting line

- Prevent squashing or damage of the connecting line.
- Prevent the guide of cables over sharp edges which can rub open the cable jacket.



#### 2.4.4 Mechanical damage

- Do not place the touchpanel on the operating side, since this could damage the control elements mechanically or activate them unintentionally.
- Never place the touchpanel on unstable surfaces or storage spaces. It could fall down and sustain damage.
- Never set up the touchpanel close to heat sources or under direct sunlight.
- Do not subject the touchpanel to mechanical vibrations, excessive dust, moisture or strong magnetic fields.



## 3 About this product

### 3.1 Intended use

The TOX® UDI Panel is a portable operating and display unit and makes intuitive operation possible.

#### 3.1.1 Safe and correct operation

Intended use includes the following conduct:

- Only operate with the components for which it is specified.
- Follow all instructions in this operating manual.
- Comply with the specified maintenance intervals and perform maintenance work correctly.
- Operate in compliance with the conditions of the technical data.
- Operation with fully assembled and functional safety devices.
- Activities may only be carried out by persons who are qualified or authorized for this purpose.

Any other use or application beyond this does not come under the scope of intended use.

#### 3.1.2 Foreseeable misuse

Use contrary to intended use includes the following foreseeable misuse:

- Operation under conditions that deviate from the technical data.
- Operation without fully assembled and functional connections.
- Operation without fully assembled and functional safety devices.
- Modifications to the product without prior approval by TOX® PRESSOTECHNIK and the approving authority.
- Incorrect parameterization.
- Execution of activities by persons who are not qualified or authorized to do so.

The operating company is exclusively responsible for all personal injury and property damage resulting from non-intended use. Non-intended use will not be covered by the warranty or the operating approval.

### 3.1.3 Substances harmful to the wetting properties of lacquers (LABS)

No substances containing silicone, are knowingly processed and used.

## 3.2 Product overview and function description

### 3.2.1 Product overview 10.1 inch

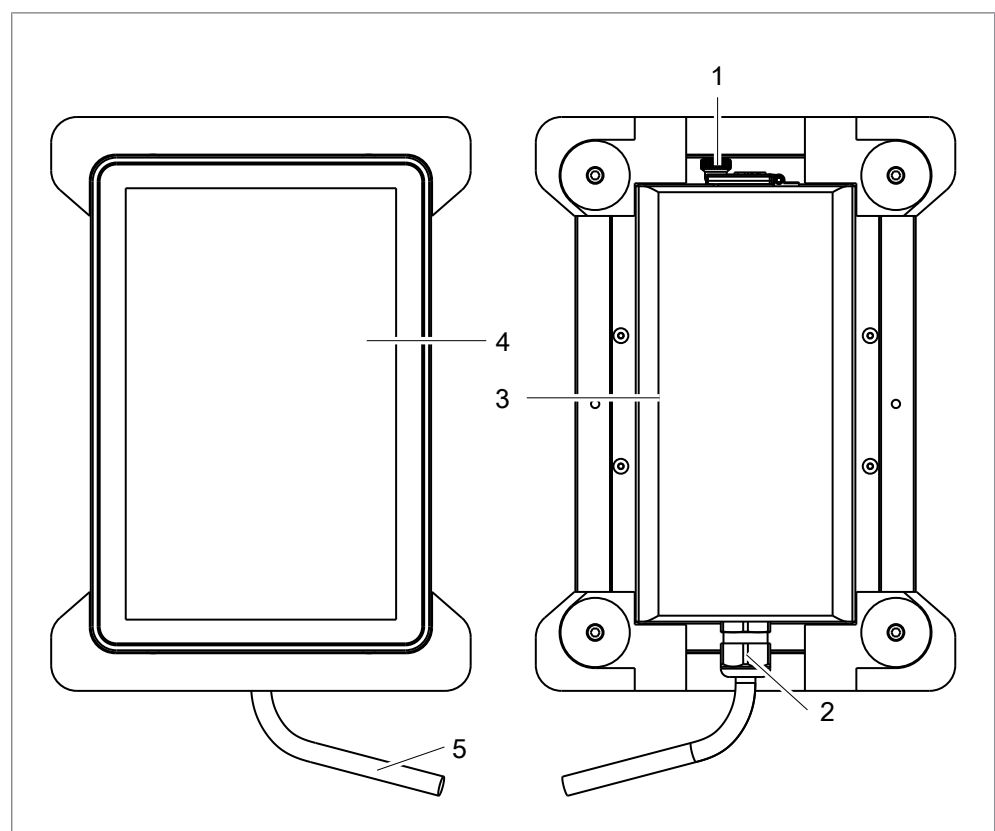


Fig. 1 Product overview 10.1 inch

	Designation	Function
1	USB connection	For connecting, e.g. to a <ul style="list-style-type: none"> <li>• USB stick</li> <li>• Keyboard</li> </ul>
2	Cable bushing	Feed-through for communication cables and voltage supply cables.
3	Cover	n.n
4	Touch screen	Visualization of control surface and operation
5	Connecting line	Connection line with installed plug connector (Han3A RJ45 Hybrid 10G Cat6 plug 8+4p IDC)

### 3.2.2 Product overview 13.3 / 21.5 inch

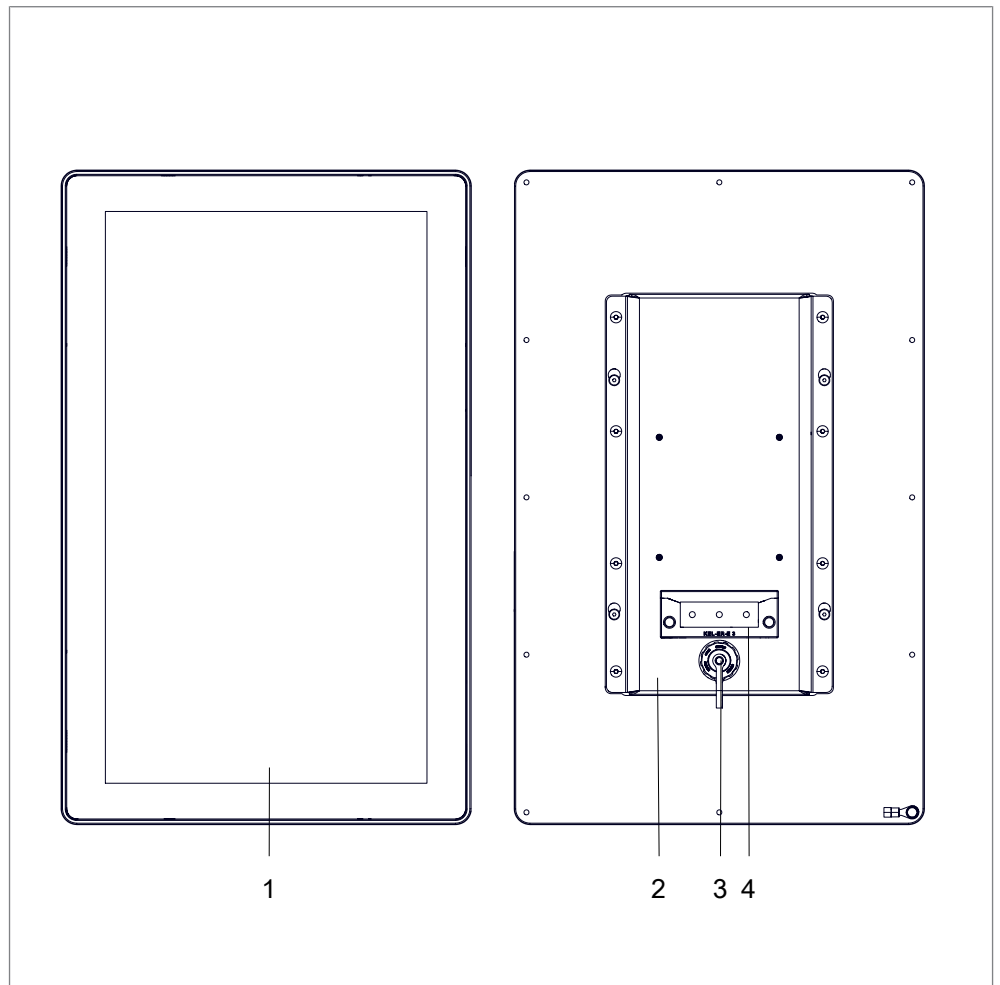


Fig. 2 Product overview 13.3 / 21.5 inch

	Designation	Function
1	Touch screen	Visualization of control surface and operation
2	Cover	n.n
3	Cable bushing	Feed-through for communication cables and voltage supply cables.
4	USB connection	For connecting, e.g. to a <ul style="list-style-type: none"> <li>• USB stick</li> <li>• Keyboard</li> </ul>

### 3.3 Touch screen

The touch panel has a capacitive touch screen.

The touch screen can be operated with the fingers or with a touch pin (capacitive). To ensure a long service life of the touch screen, note the following:

#### NOTE

##### **Touch damage due to improper handling!**

Clean the touch screen only with a soft cloth with mild cleaning agent (e.g. soap solution), [Requirement for maintenance and cleaning, Page 45](#).

Do not operate the touch screen with sharp, metal objects and also not with ballpoint pens or pencils.

The touch screen must not be subjected to constant sunlight.

## 4 Technical data

### 4.1 Type sheet and data sheet

For technical data and installation dimensions see data sheet.  
[www.tox-pressotechnik.com](http://www.tox-pressotechnik.com)

### 4.2 Connections 10.1 inch TOX® UDI Panel

#### 4.2.1 Supply voltage 10.1 inch TOX® UDI Panel

##### Pin assignment wall housing

The 10.1 inch TOX® UDI Panel is delivered ready to be plugged.  
 The following pin assignment is for a plug connector for feeding through a wall (not included in delivery, recommended are Harting, type: Han 3M RJ45 Hybrid Cat.6 PFT 8+4p EMV-P).

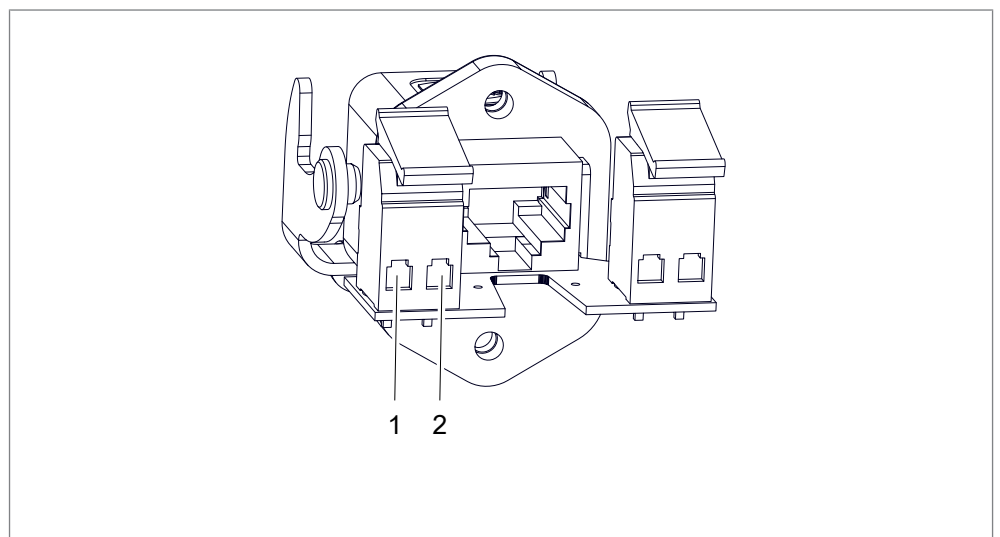


Fig. 3 Pin assignment for feeding through a wall (Type: Han 3M RJ45 Hybrid Cat.6 PFT 8+4p EMV-P)

PIN	Voltage	Description
1	24 V DC	24 V supply voltage
2	0 V DC	24 V supply voltage
3	-	not occupied
4	-	not occupied

### 4.2.2 Data interface 10.1 inch TOX® UDI Panel

The 10.1 inch TOX® UDI Panel is connected to the data cable via an RJ45 connector.

For the associated wall feed-through the data cable 1:1 is fed through via the RJ45 connectors.

### 4.3 Connecting line

Cables for 24 VDC	
Minimum bending radius	≥ 4-fold outside diameter of the cable
Cable cross section minimal	0.75 mm <sup>2</sup> , AWG 19
Back-up fuse, maximum	B 6 A
Cable material	Copper (Cu)



## 5 Transport and storage

### 5.1 Temporary storages

- Use original packaging.
- Make sure that all electrical connections are covered to prevent dust ingress.
- Protect the display against sharp-edged objects e.g. due to cardboard or hard foam.
- Wrap the device, e.g. with a plastic bag.
- Store the device only in closed, dry, dust-free and dirt-free rooms at room temperature.
- Add drying agent to the packaging.

### 5.2 Dispatch for repair

To dispatch the product for repair to TOX® PRESSOTECHNIK, please proceed as follows:

- Fill in the "Accompanying repair form". This we supply in the service sector on our website or upon request via e-mail.
- Send us the completed form via e-mail.
- Then you will receive the shipping documents from us via e-mail.
- Send us the product with the shipping documents and a copy of the "Accompanying repair form".

For contact data see [Contact and source of supply, Page 11](#) or [www.tox-pressotechnik.com](http://www.tox-pressotechnik.com).



## 6 Installation

### 6.1 Safety during installation

The installation may only be carried out by trained and authorized personnel.

#### **DANGER**

##### **Electrical hazards in case of contact with live parts!**

Electric shock, burns or death in case of contact with live parts!

- Have all work on the electrical equipment performed by an electrician.
- Disconnect power supply.
- Wait for residual energy to dissipate safely (at least 3 minutes).

#### **CAUTION**

##### **Tripping points from laid supply lines!**

Injuries from tripping and falling!

- Avoid tripping points when setting up.
- Mark unavoidable tripping points with warning sign.

#### **WARNING**

##### **Safe extra-low voltage of function**

The TOX® UDI Panel must be operated with safe extra-low voltage of function (SELV, PELV).

## 6.2 Requirements for installation

### 6.2.1 Set-up location

The set-up location:

- Must be free from dust and dirt
- Must be a closed room
- Must have a firm, level floor
- Must have sufficient space and easy access to the system parts
- Prevent the spray of sparks
- The floor must have sufficient load bearing capacity for the weight of the system parts and stresses caused by movements
- The stability must be ensured



Information on technical data, operating conditions, etc. for the intended use can be found in type sheet or the product-specific data sheet and circuit diagram.

## 6.3 Installation 13.2 inch / 21.5 inch TOX® UDI Panel

### 6.3.1 Preparation of the installation cutout

The resistance of the material of the installation cutout must be sufficiently high.

For the dimensions of the fastening holes see data sheet. [www.tox-pres-sotechnik.com](http://www.tox-pres-sotechnik.com)

### 6.3.2 Dismantling / installing housing cover

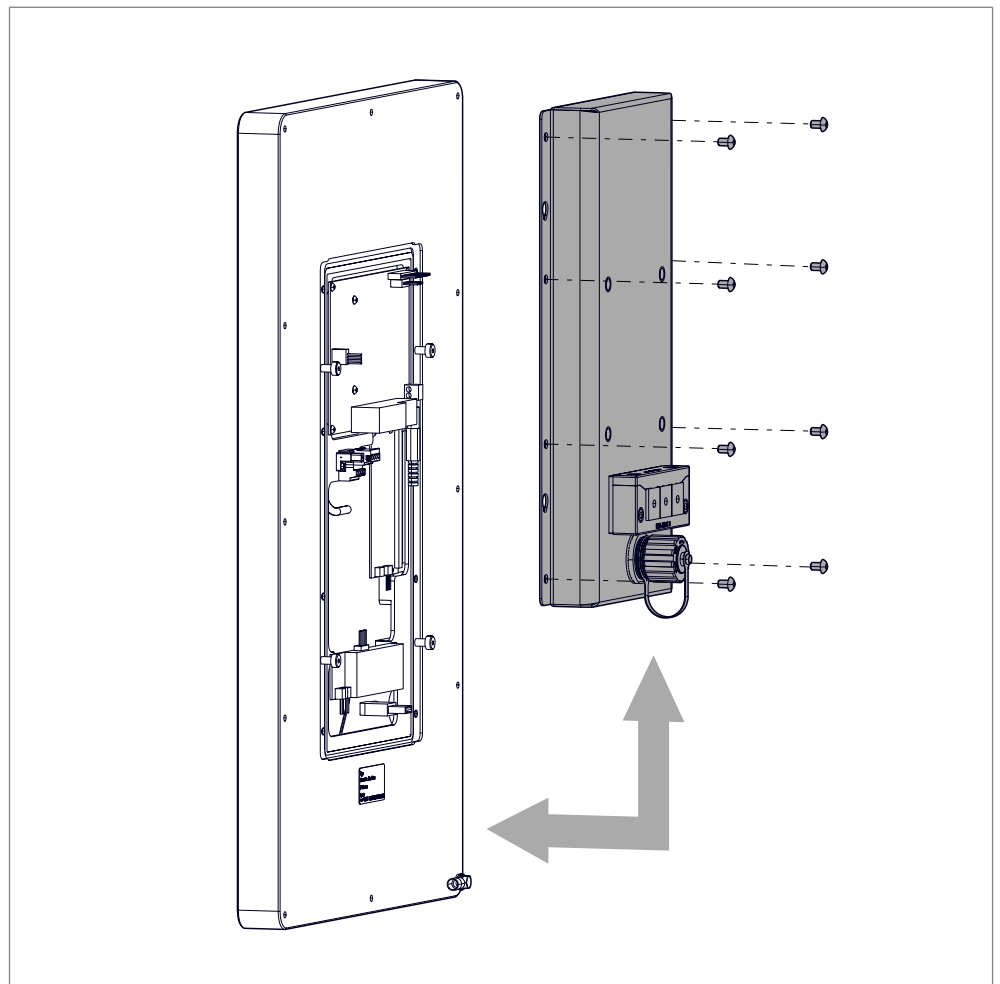


Fig. 4 Dismantling / installing housing cover

1. Loosen all screws.
2. Dismantle housing cover

When installing the housing cover, observe the following:

- Prevent squashing or damage of the connecting line.
- Prevent the guide of cables over sharp edges which can rub open the cable jacket.

### 6.3.3 Installing connections

#### Connect TOX® UDI Panel

---

**⚠ DANGER****Explosion**

Death or serious injuries!

→ The USB connection must not be used in an explosive atmosphere.

---

**⚠ CAUTION**

**Faults of external power supply, signal or cables of periphery devices occur.**

→ Create a proper grounding connection on the power adapter.

---

### Performance of dismantling / installation



#### Change of the protection type

If 2 Ethernet cables are to be connected, the enclosed double feed-through can be used. When using the double feed-through the protection class is reduced to IP54.

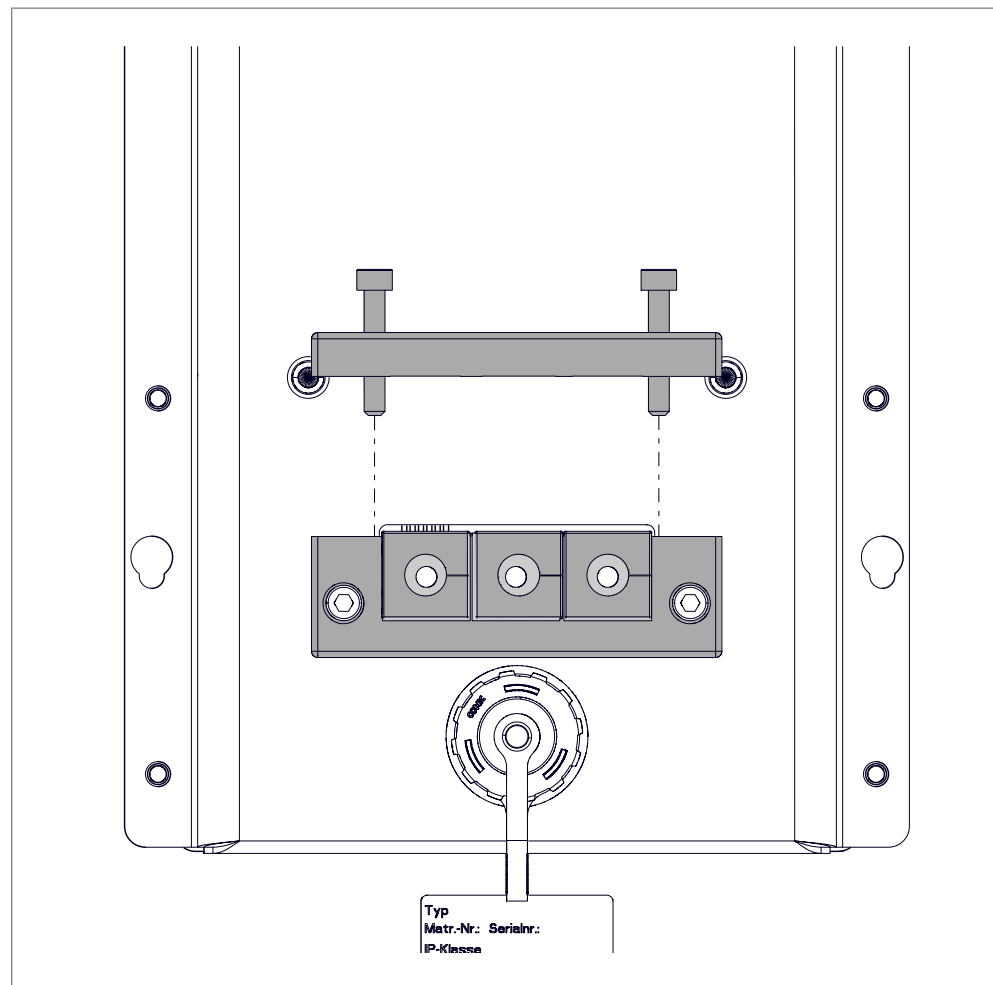


Fig. 5 Performance of dismantling / installation

✓ The housing cover is dismantled (see [Dismantling / installing housing cover, Page 29](#)).

1. Loosen screws.
2. Remove the square feed-throughs.
3. Feed the Ethernet and voltage power cable through the housing.



## Supply voltage connection

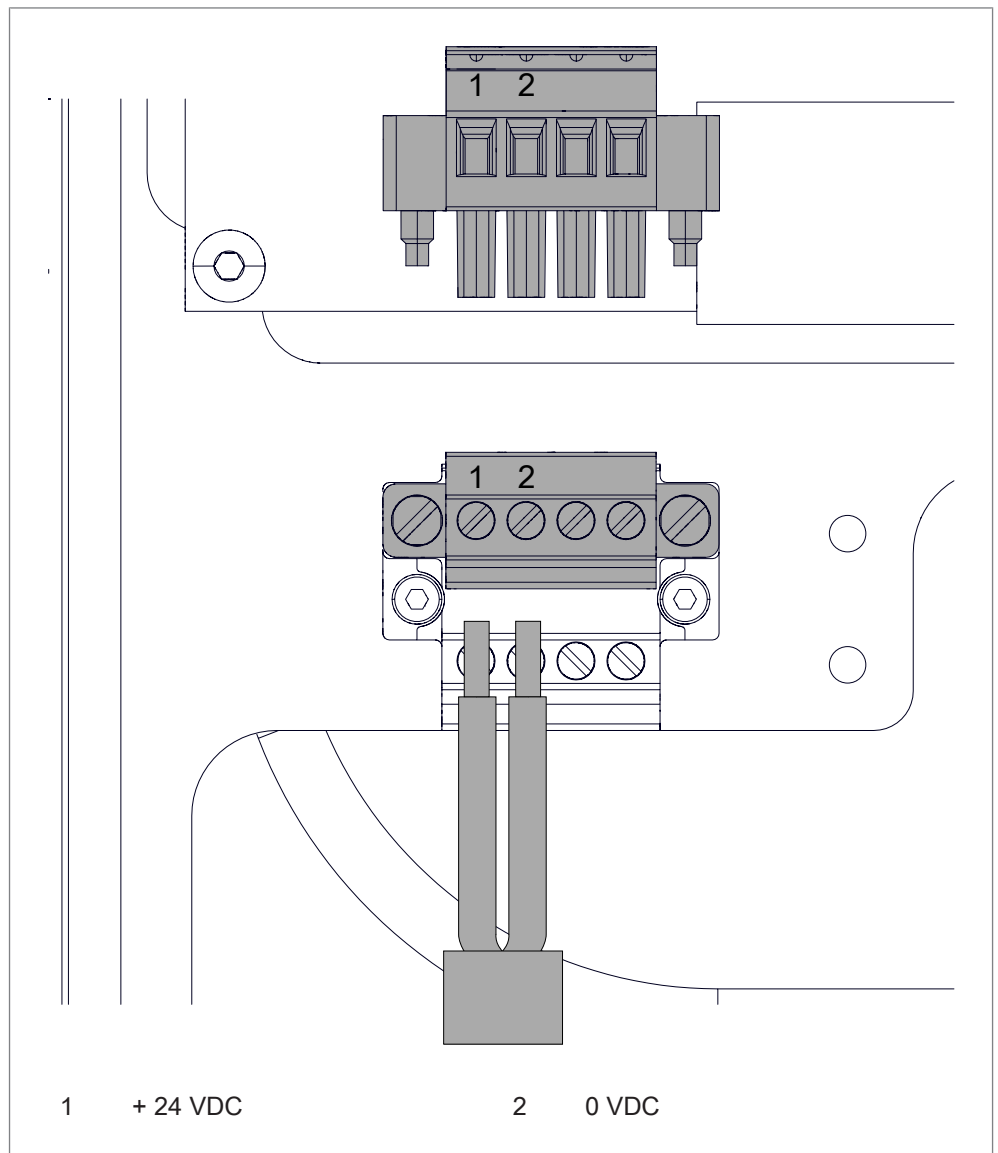


Fig. 6 Supply voltage connection

✓ Cross-section of wires from 0.75 mm<sup>2</sup> to 1.5 mm<sup>2</sup>

1. Strip wires to 7 mm.
2. Insert the wires into the connection contacts of the plug connector.
3. Tighten the screw contacts with a screwdriver.
  - ▷ Tightening torque 0.3 Nm.

**Customer network / data interface on 13.2 inch TOX® UDI Panel**

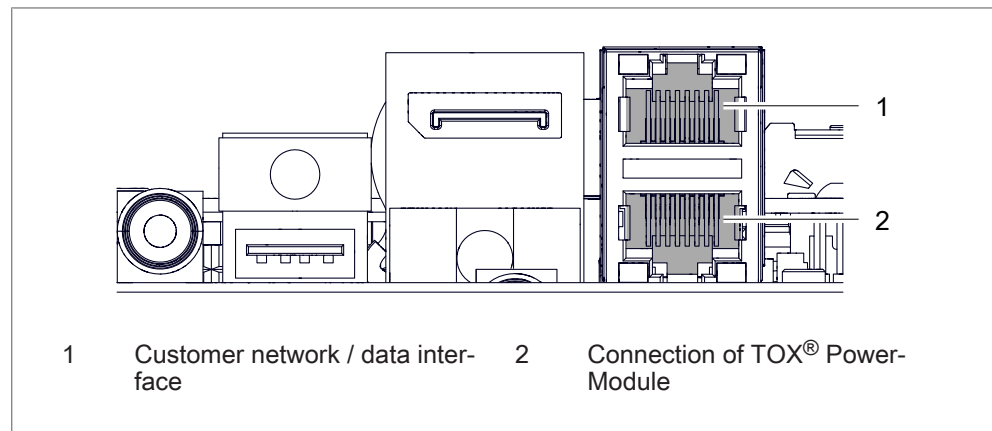


Fig. 7 Customer network / data interface 13.2 inch TOX® UDI Panel

1. Attach cable of customer network and TOX® PowerModule.
2. insert the square feed-throughs.
3. Screw feed-threw together.
4. Install the housing cover (see [Dismantling / installing housing cover, Page 29](#)).

**Customer network / data interface on 21.5 inch TOX® UDI Panel**

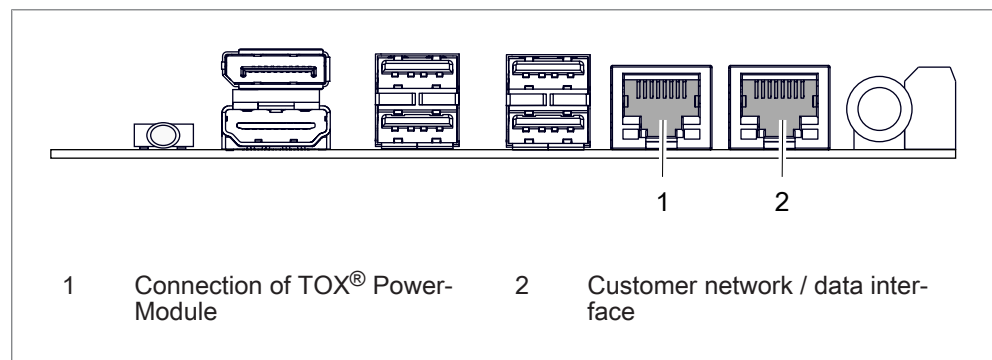


Fig. 8 Customer network / data interface 21.5 inch TOX® UDI Panel

1. Attach cable of customer network and TOX® PowerModule.
2. insert the square feed-throughs.
3. Screw feed-threw together.
4. Install the housing cover (see [Dismantling / installing housing cover, Page 29](#)).

### 6.3.4 Grounding connection / potential equalization

#### NOTE

**Grounding / potential equalization not connected.**

Functionality of device not guaranteed.

- All grounding connections / potential equalization must be connected with a grounding point.

A cable to the central grounding point / potential equalization of the switch cabinet or the plant must be installed on the grounding connection. The grounding connection / potential equalization is marked with a corresponding adhesive label.

### 6.3.5 Holder installation VESA

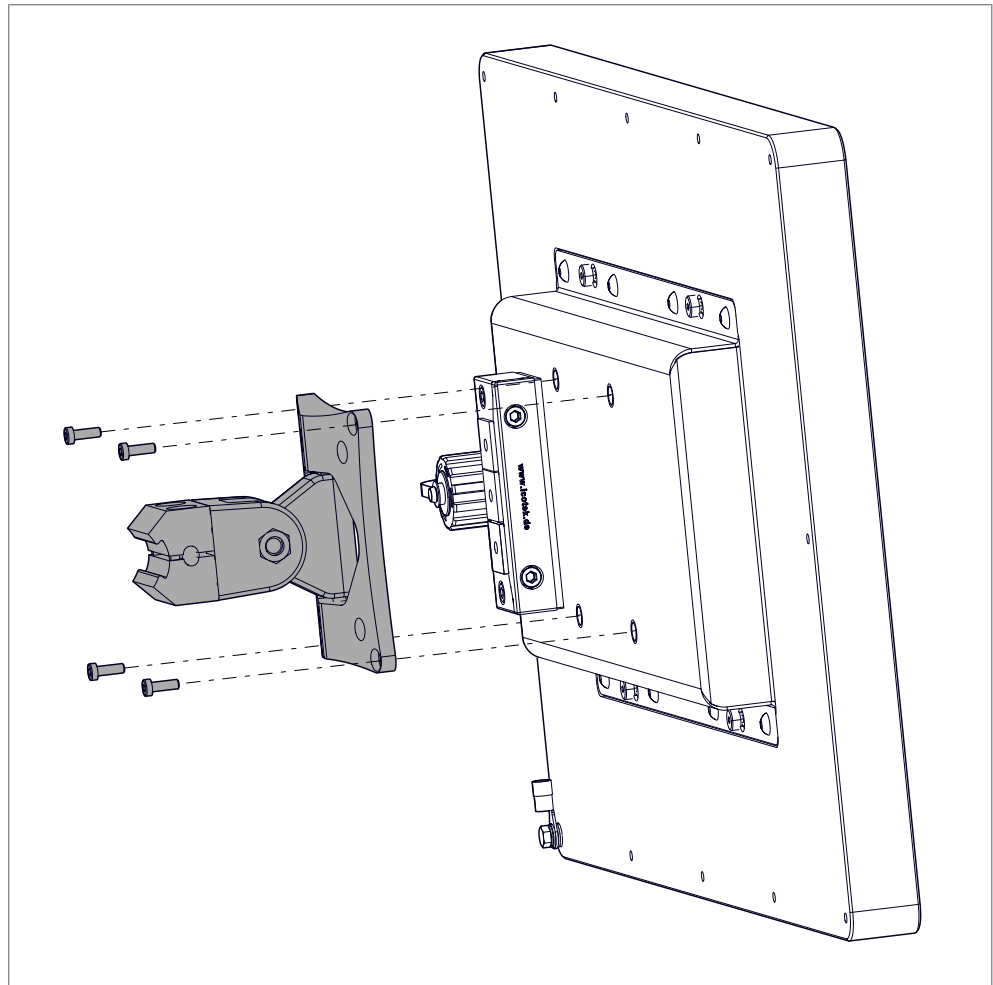


Fig. 9 Installation of VESA

→ Install VESA holder (not included in delivery) on TOX® UDI Panel.

## 7 Software

### 7.1 Parameterizing, Visualizing, Operating

The connected component is parameterized, visualized, documented and operated via the TOX® Software.

See software manual.

### 7.2 Settings

#### 7.2.1 Basic settings screen

The "Basic settings" screen appears when the entry "Basic settings" is selected in the main menu under **Settings**.

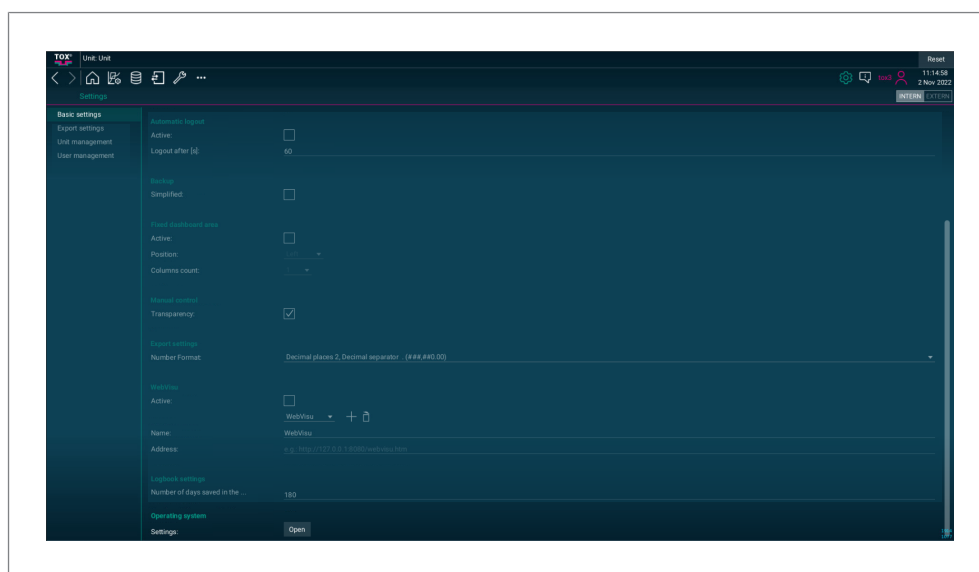


Fig. 10 Basic settings screen

	Button	Function
	Operating system	Opens the settings menu of the operating system after the restart of the TOX® UDI Panel.

## 7.2.2 Operating system settings

### Assign host name

If more than one TOX® UDI Panel is used in the network, it is recommendable to assign a unique name for each device.

Factory setting: tox\_hmi3

- ✓ The user is logged in with a suitable user level. The necessary write permissions are available.
1. Tap on input field **Enter new host name**.
    - ▷ The alphanumeric keyboard opens.
  2. Enter device name and press the **OK** button to confirm.
  3. Tap on **Save** button to save the values.

### Reset network

In menu "Reset-network" the network settings can be reset to the factory setting.

- Tap on the **Save** button to save the change and confirm the request with **Yes**.

## Network

In the "Network" menu, the Ethernet IP address can be configured.

Interface	Meaning
Machine_net	Connection for control system (SCC) of TOX® PRES-SOTECHNIK
DHCP-xxxx	Connection for customer's network

### Defining IP Address by entering a Value

- ✓ The user is logged in with a suitable user level. The necessary write permissions are available.
- 1. Mark entry machine\_net or DHCP-xxx and press the **Toothed wheel** button.
- 2. Press tab **IPv4 Settings**.
- 3. Select entry **Manual** in the selection field.
- 4. Press button **Add**.
- 5. Enter IP address, network mask and Gateway.
- 6. Press button **Save**.
- ▶ The changes are applied.

## Keyboard

The country settings of the keyboard can be changed in menu "Keyboard".

Two keyboard layouts are available for selection:

- German keyboard layout (quertz)
- US international keyboard layout (qwerty)

### Changing keyboard layout

- ✓ The user is logged in with a suitable user level. The necessary write permissions are available.
- ✓ The **Keyboard layout** menu is opened.
- 1. Select keyboard layout.
- 2. Press button **Select**.
- ▶ The keyboard layout is changed.

## Display

The alignment of the touch screen can be changed in menu "Display".

- ✓ The user is logged in with a suitable user level. The necessary write permissions are available.
- 1. Tap on Alignment and confirm with **OK**.
- 2. Select entry Save and confirm with the **OK** button.
- ▶ The alignment of the screen is saved.

## Brightness

The brightness of the touch screen can be changed in menu "Brightness". Also the time can be set when the touch screen is to be dimmed or switched off. This is a substitute for the screen saver.

### Timings

#### Changing value

- ✓ The user is logged in with a suitable user level. The necessary write permissions are available.
- 1. Tap on the input field.
  - ▷ The numerical keyboard opens.
- 2. Enter the value and confirm with the ↵ button.

#### Brightness on / Brightness dimmed / Brightness off

- ✓ The user is logged in with a suitable user level. The necessary write permissions are available.
- Select the value of the brightness and confirm with the **OK** button.
- ▶ The brightness of the touch screen is saved.

### Quit

The menu is exited.



## VNC

A password for a remote desktop connection can be entered in menu "VNC".

### Change password

- ✓ The user is logged in with a suitable user level. The necessary write permissions are available.
  - ✓ Menu **Enter VNC password** is opened.
1. Tap on input field **Password**.
    - ▷ Enter password
  2. Tap on the **Repeat** input field.
    - ▷ Re-enter the password.
  3. Tap on **OK** button.

## SSH

An SSH key can be imported in menu "SSH".

To guarantee secure communication we recommend to use an own SSH key.

## Backup restore

In menu "Backup restore" all settings of the TOX® UDI Panel can be stored on a storage medium (e.g. USB stick) and restored again.

## Maintenance stick

In menu "Maintenance stick" a storage medium (e.g. USB stick) is prepared for the use of the WinSCP protocol for the transmission of data.

### Creating maintenance stick

- ✓ The user is logged in with a suitable user level. The necessary write permissions are available.
  - ✓ Menu **Maintenance stick** is opened.
  - ✓ USB stick is inserted in the TOX® UDI Panel.
1. Select USB stick and press button **Select**.
  2. Follow the instructions on the screen.
- ▶ All necessary files are copied to the USB stick.

## Ubiquity

The TOX® UDI Panel can be remote controlled with the aid of the Ubiquity software.

### Reset identity / Test / Disconnect / State

This menu may only be used after prior consultation with TOX® PRESSOTECHNIK.

### Connect

- ✓ The user is logged in with a suitable user level. The necessary write permissions are available.
- ✓ The **Ubiquity** menu is opened.

1. Select entry **Connect**.
2. Press button **Select**.

▶ The connection is established.

### Quit

The menu is exited.

## Advanced

The following menus may only be changed after prior consultation with TOX® PRESSOTECHNIK.

- Tests
- Services
- DPI
- Resolution
- SSD
- Session
- OS-Update-Stick

### Quit

The menu is exited.

### Quit

Menu "Settings" is exited.

### 7.3 Establishing VNC connection

Via the VNC protocol, remote computers can be controlled in a network according to the server-client principle with the transmission of mouse and keyboard entries.

If, for example, the 10.172.227.115 is used for the TOX® UDI Panel as fixed IP address, a remote access via VNC and

`http://10.172.227.115:6080/vnc.html?autoconnect=true&password=tox&reconnect=true&reconnect_delay=5000&resize=scale`

can be established.

#### Establishing connection

- ✓ IP address of the TOX® UDI Panel is known.
- 1. Open the web browser.
- 2. Enter the address according to the above-mentioned concept.
- ▶ Connection to the TOX® UDI Panel is being made.

## 8 Maintenance

### 8.1 Requirements for maintenance and cleaning



Clean and check the product regularly with regard to material, use and degree of contamination.

Suitable cleaning agents are to be used for cleaning:

- Do not use aggressive, and solvent-containing cleaner. The layer can harden and/or the glued cover can come loose.
- Use cleaning set, such as industrial cleaner (e.g. Loctite 7063, or Würth Montagekraftreiniger 0890 107), vacuum cleaner, dry cloth and brush.

### 8.2 Cleaning the touch screen

#### NOTE

##### **Touch damage due to improper handling!**

Clean the touch screen only with a soft cloth with mild cleaning agent (e.g. soap solution), [Requirement for maintenance and cleaning, Page 45](#).

Do not operate the touch screen with sharp, metal objects and also not with ballpoint pens or pencils.

The touch screen must not be subjected to constant sunlight.

### 8.3 Update TOX® Software

Since for a VNC connection with a TOX® UDI Panel the USB connection is not passed on, there is no possibility here to perform a software update via the VNC connection on the displayed target device.

- ✓ TOX® Software is finished.
  - ✓ Software package and documentation can be downloaded from the data exchange portal or a data carrier is available.
  - ✓ Necessary authorizations are available.
  - ✓ PC and TOX® UDI Panel must be located in the same network.
1. Open the maintenance stick.
  2. Start program "Tox-Linux-Filetransfer.exe".
    - ▷ A window similar to Windows®-Explorer opens.
    - ▷ In the left window you are located on the local computer, in the right window on the TOX® UDI Panel.
  3. Copy the installation file on drive "toxsoftware/transfer".
  4. Log in with user "worker".
    - ▷ The TOX® Software will then be updated after an enquiry.

## 9 Disassembly and Disposal

### 9.1 Disposal



When disposing of packaging, consumables and spare parts, including the machine and its accessories, the relevant national environmental protection regulations must be complied with.







## **10 Appendices**

### **10.1 Declaration of conformity**



## UK DECLARATION OF CONFORMITY

Original declaration of conformity

The manufacturer TOX® PRESSOTECHNIK GmbH & Co. KG declares herewith that the following product

Designation/function	HMI Touchpanel
Product name/module	TOX® UDI Panel
Modell/Typ	TOX® UDI 200-10 / UDI 200-13 / UDI 200-21
Serial number	see nameplate
Description	The TOX® UDI Panel is an operating panel for visualization and parameterization of system or machine parameters as a compact device for mobile use or for support arm mounting.

complies with all relevant provisions of the following enactments and their amendments. This declaration of conformity is issued under the sole responsibility of the manufacturer.

Applied enactments:

SI 2016/1091	Electromagnetic Compatibility Regulations 2016
SI 2012/3032	The Restriction of the Use of Certain Hazardous Substances in Electrical and Electronic Equipment Regulations 2012

Reference to the used designated standards:

DIN EN 61000-6-2:2019-11	Electromagnetic compatibility (EMC) - Part 6-2: Generic standards - Immunity standard for industrial environments (IEC 61000-6-2:2016)
DIN EN 61000-6-4:2020-09	Electromagnetic compatibility (EMC) - Part 6-4: Generic standards - Emission standard for industrial environments (IEC 61000-6-4:2018)
DIN EN IEC 63000:2019-05	Technical documentation for the assessment of electrical and electronic products with respect to the restriction of hazardous substances (IEC 63000:2016)

Place and date Weingarten, 13.02.2023

Information on the signatory

  
ppa Stefan Katzenmaier  
Component and Region Sales Manager



## Index

### Numerical

13.2 inch / 21.5 inch Installation.....	29
--	----

### B

Backup restore .....	41
Basic safety requirements .....	13
Basic settings	
Screen .....	37
Brightness .....	40

### C

Cleaning	
Touch screen .....	45
Cleaning the touch screen.....	45
Configuration	
Backup restore.....	41
Brightness.....	40
Display .....	40
Host name .....	38
Keyboard .....	39
Maintenance stick.....	42
Network.....	39
Quit .....	43
Reset network.....	38
SSH .....	41
Ubiquity.....	43
VNC .....	41
Conformity .....	7
Connecting line	
Technical data .....	24
Connection	
Grounding / potential equalization .....	35
Housing cover.....	29
TOX® UDI Panel .....	31
Connections .....	23
Contact.....	11

### D

Data interface.....	24
Declaration of conformity .....	49
Disassembly.....	47
Dispatch	
Repair.....	25
Display .....	40
Disposal .....	47
Document	
additional.....	8
Validity.....	8

### E

Exclusion of liability.....	7
-----------------------------	---

### F

Function description.....	20
---------------------------	----

### G

Gender note.....	8
Grounding / potential equalization	
Connection .....	35
Guidelines.....	7

### H

Hazard	
Electrical.....	15
Thermal .....	15
Hazard potential.....	15
Host name	
Assign .....	38
Housing cover	
Connection .....	29

<b>I</b>		<b>O</b>	
Images		Operating system	
Highlighting .....	10	Settings .....	38
Important information .....	7	operation	
Information		Safe .....	19
Important.....	7	Organizational measures .....	13
Installation .....	27	<b>P</b>	
Installation cutout.....	29	Product overview .....	20, 22
Requirement .....	28	Product overview 10.1 inch.....	20
Safety.....	27	Product overview 13.3 / 21.5 inch.....	21
Set-up location.....	28	<b>Q</b>	
VESA .....	36	Qualifications .....	14
Installation 13.2 inch / 21.5 inch		Quit .....	43
13.2 inch / 21.5 inch.....	29	<b>R</b>	
Installation cutout .....	29	Repair	
Intended use.....	19	Dispatch .....	25
<b>K</b>		Requirement	
Keyboard .....	39	Installation .....	28
<b>L</b>		Reset network.....	38
LABS .....	20	<b>S</b>	
Legal note.....	7	Safety.....	13
<b>M</b>		Installation .....	27
Maintenance.....	45	safety requirements	
Maintenance stick.....	42	Basic .....	13
Measures		Operating company.....	13
Organizational.....	13	Screen	
Misuse .....	19	Basic settings .....	37
<b>N</b>		Selection	
Network .....	39	Personnel .....	14
Note		Selection of personnel .....	14
Gender .....	8	Settings	
General .....	10	Operating system .....	38
Legal .....	7	Set-up location .....	28
Warning signs .....	9	Software.....	37
		Source of supply .....	11
		SSH.....	41
		Storage .....	25
		Temporary storages .....	25
		Substances harmful to the wetting properties of lacquers (LABS) .....	20
		Supply voltage .....	23

**T**

Target group .....	8
Technical data .....	23
Connecting line .....	24
Connections .....	23
Data interface .....	24
Supply voltage .....	23
Texts	
Highlighting .....	10
Touch screen.....	22
TOX® UDI Panel	
Connection.....	31
TOX®softWare	
Update .....	46
Transport .....	25
types of risks	
Special .....	16

**U**

Ubiquity	
Configure .....	43
Update	
TOX®softWare .....	46
Use	
Intended .....	19

**V**

Validity	
Document .....	8
VESA	
Installation.....	36
VNC .....	41
VNC connection	
Establishing .....	44

**W**

Warning signs.....	9
--------------------	---

